

## 4 SPEED WALL CONTROL INSTALLATION INSTRUCTIONS

### WARNING

To avoid fire, shock and serious personal injury, follow these instructions:

1. Carefully read and retain this Instruction Manual for future reference.
2. To avoid possible electrical shock, be sure the electricity is turned off at the main panel by removing the fuse or opening the circuit breaker.
3. This control switch is designed for use with "Ceiling Fans" ONLY. DO NOT use with any other type of electrical appliance.
4. All wiring must conform to national and local electrical codes. If you feel you do not have enough electrical knowledge, have a licensed electrician install the control.
5. The amperage for your fan should not exceed 1.25A.

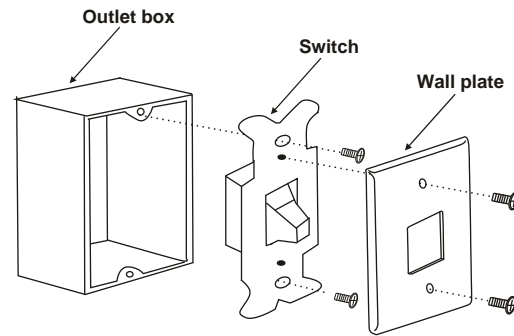


Fig. 1

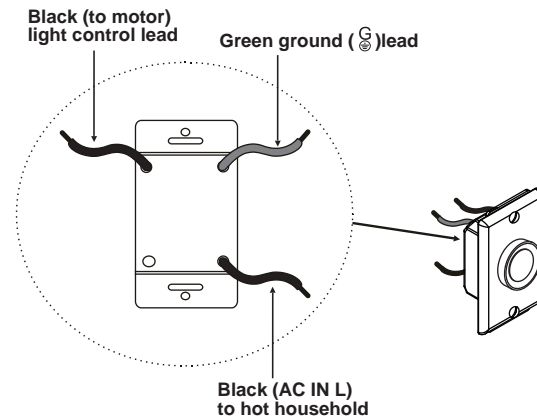


Fig. 2

### INSTALLATION AND OPERATING INSTRUCTIONS

1. Disconnect the power and remove the existing wall plate and switch. (Fig. 1)
2. Push the slide switch all the way down to the OFF position. (Fig. 2)
3. Make each of the wire connections illustrated in Figure 3. Secure each with the wire nuts provided.
  - In the Ceiling Outlet Box, connect the White (neutral) wire coming from the Fan to the White (neutral) wire from the Household Supply.
  - Connect the Black (to motor L) wire from the Switch to the Black wire going to the Ceiling Fan.
  - Connect the Black (AC in L) wire from the Switch to the Black Household Supply Wire (hot).
4. If your ceiling outlet box has a ground wire (green or bare copper) connect it to the ground wire from the ceiling fan and/or the ceiling mounting bracket.

### SUPPLY CIRCUIT

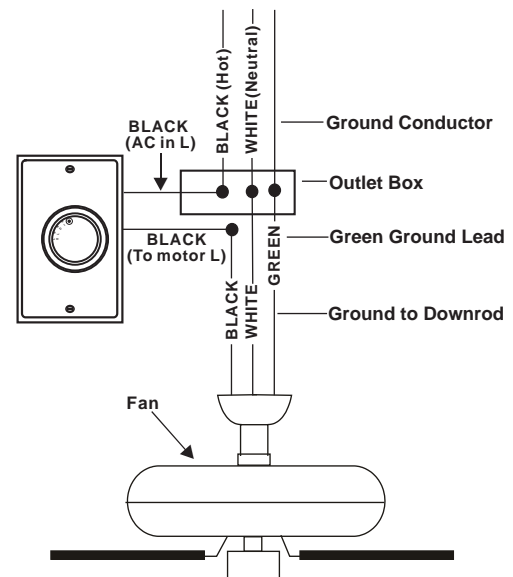


Fig. 3

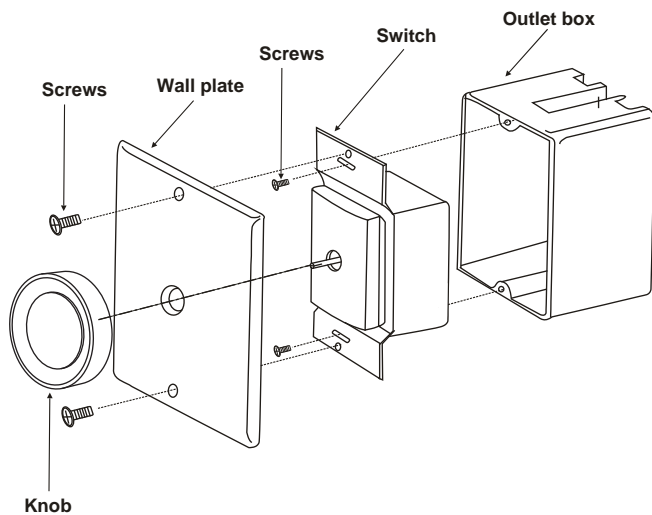


Fig. 4

5. Attach the Speed Switch to the wall outlet box and secure with the two screws provided. (Fig 4)
6. Align the center hole in the wall plate with the switch shaft, and attach the wall plate to the switch with the two screws provided. (Fig. 4)
7. Attach the knob to the switch shaft by lining up the slots in the blade shaft with the tab in the knob hole, then secure the knob with one push.

**NOTE:** If your fan has the original pull chain speed control, you **MUST** set and leave this control on High Speed.

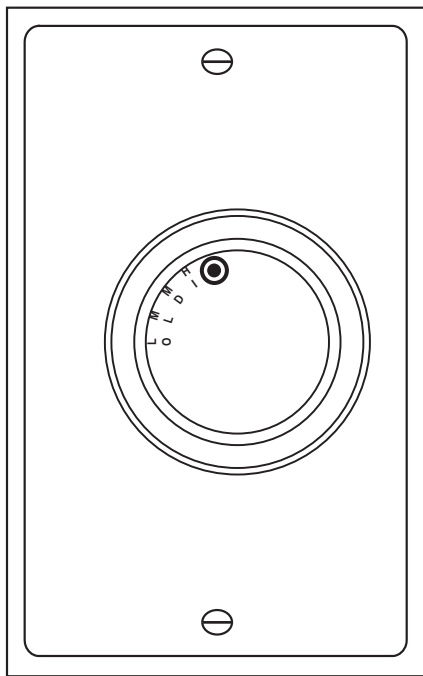


Fig. 5

## OPERATING YOUR WALL CONTROL

Restore power to the ceiling fan and test for proper operation.

- LO= Low Speed
- ML= Medium Low Speed
- MD= Medium Speed
- HI= High Speed
- = Fan Off

## TROUBLESHOOTING GUIDE

If the switch does not work correctly, check the following.

- Check the main power supply and make sure the circuit is powered ON.
- Make sure the Manual Speed Pull Chain is set on HIGH SPEED.

Fig. 6

